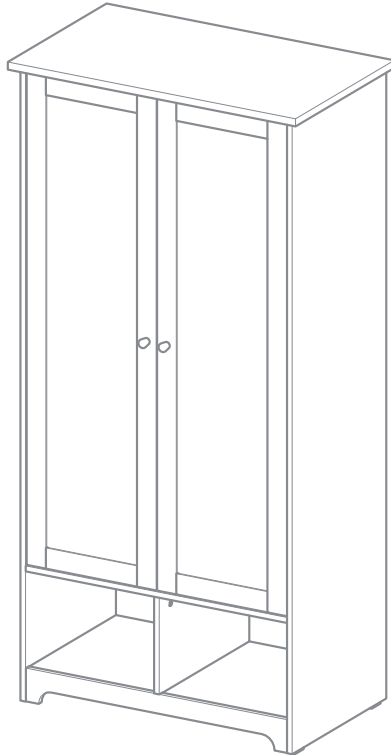


kiddicare

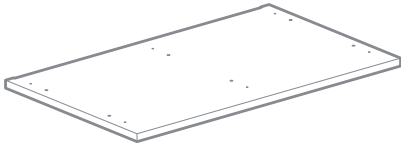
Devon

Wardrobe

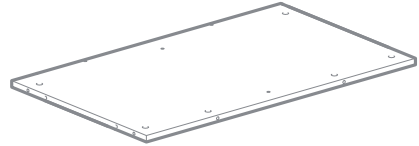


IMPORTANT:
KEEP FOR FUTURE REFERENCE,
READ CAREFULLY

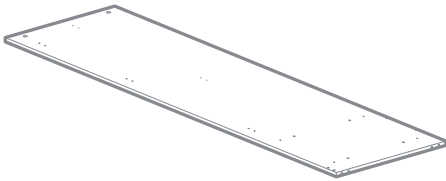
parts



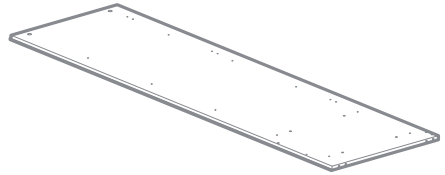
1 x 1



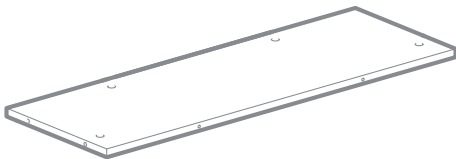
2 x 1



3 x 1



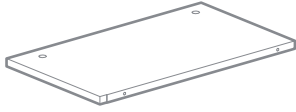
4 x 1



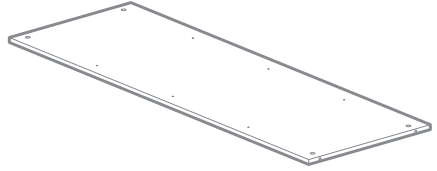
5 x 1



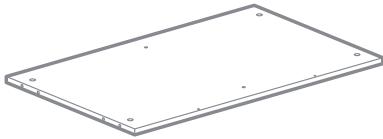
6 x 1



7 x 1



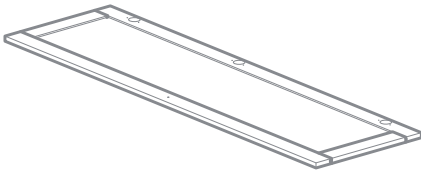
8 x 1



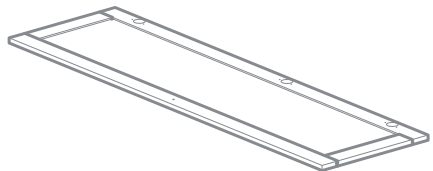
9 x 1



10 x 1

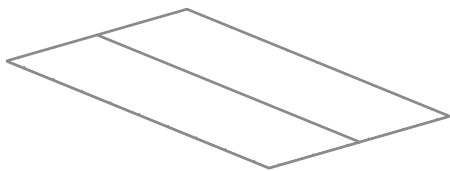


11 x 1



12 x 1

parts




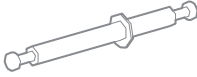





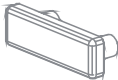
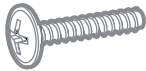








13 x 1



14 x 2

fittings

<p>A1 x 1</p> 	<p>B1 x 20</p> 	<p>C1 x 20</p> 
<p>C2 x 2</p> 	<p>D2 x 24</p>  <p>16mm</p>	<p>E1 x 4</p>  <p>50mm</p>
<p>G1 x 47</p>  <p>3x 16mm</p>	<p>H x 12</p> 	<p>I x 4</p> 
<p>J x 2</p> 	<p>K x 2</p>  <p>4x 22mm</p>	<p>L x 2</p> 
<p>Mx 6</p> 	<p>N x 6</p> 	<p>R x 12</p>  <p>4x 16mm</p>
<p>W x 1</p> 	<p>Z x 9</p> 	

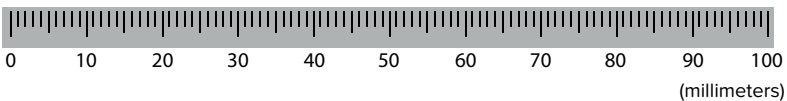
Tools required



cross head
screwdriver

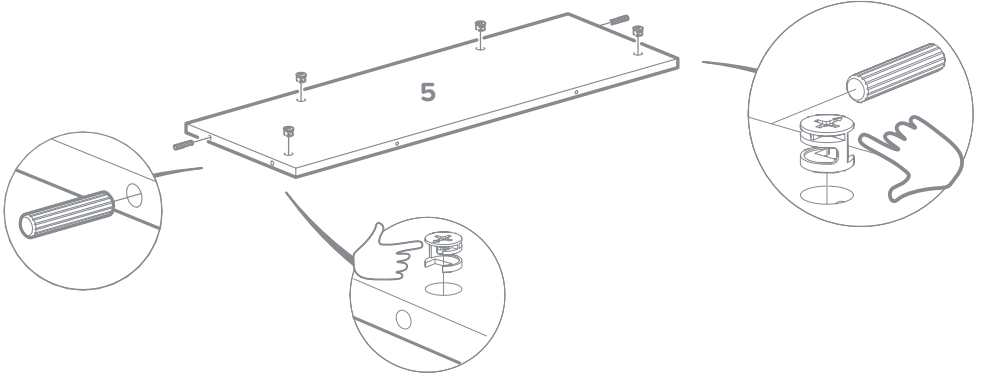


Measure

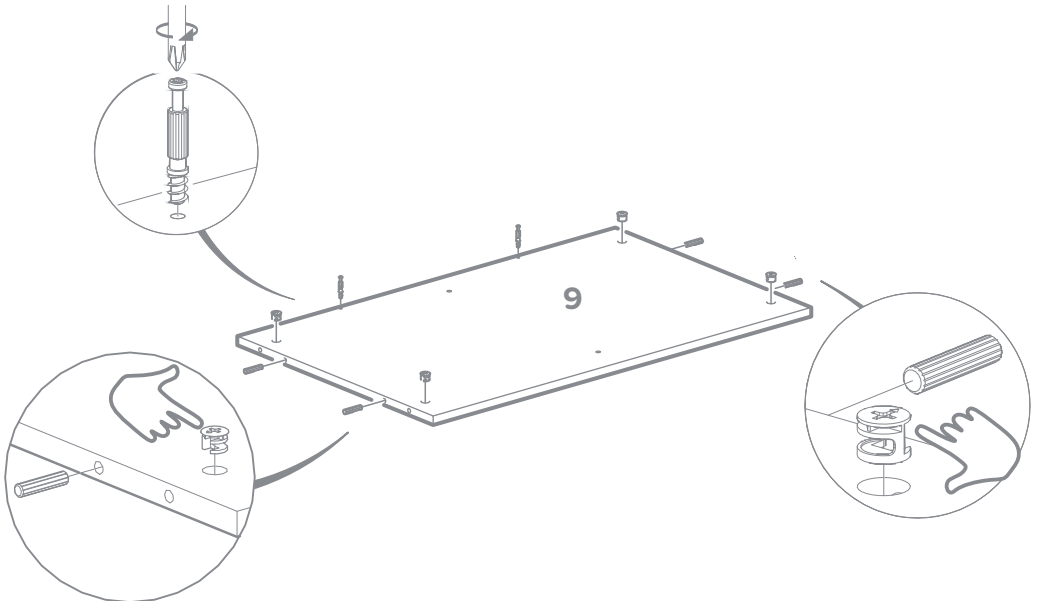


assembly

1



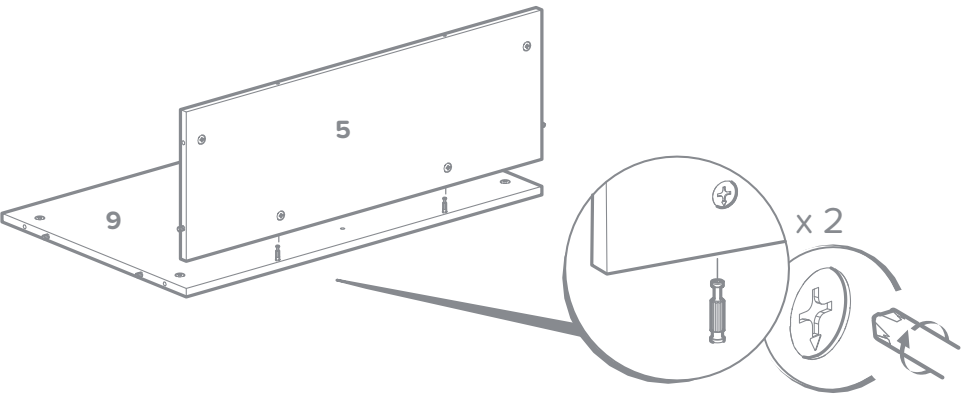
2



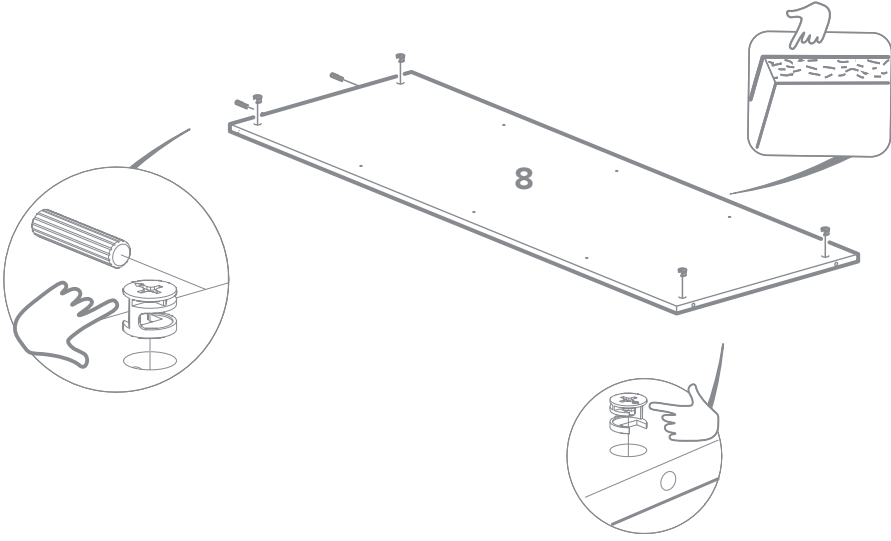
6

assembly

3

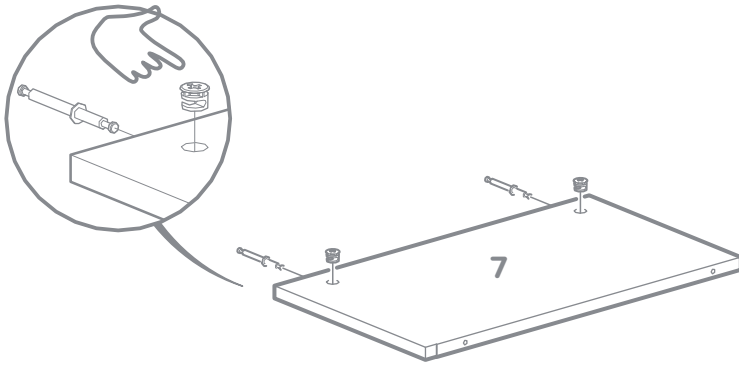


4

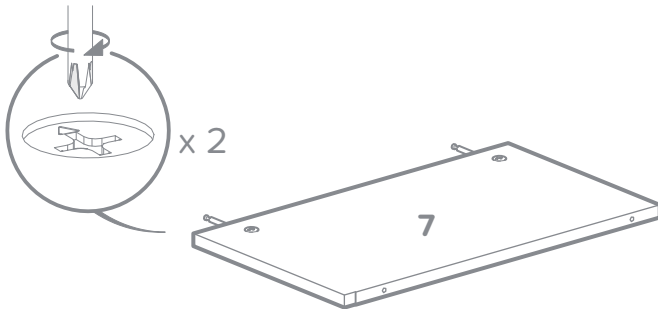


assembly

5

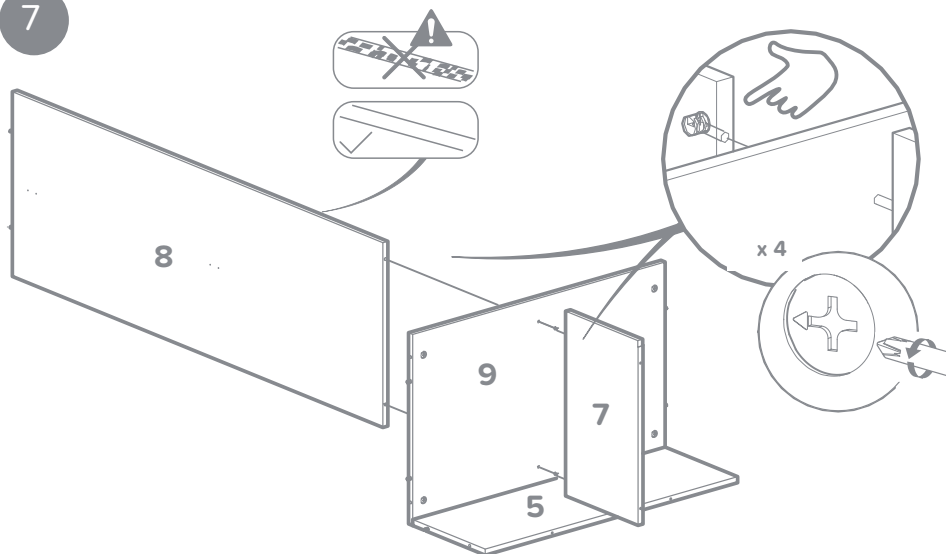


6

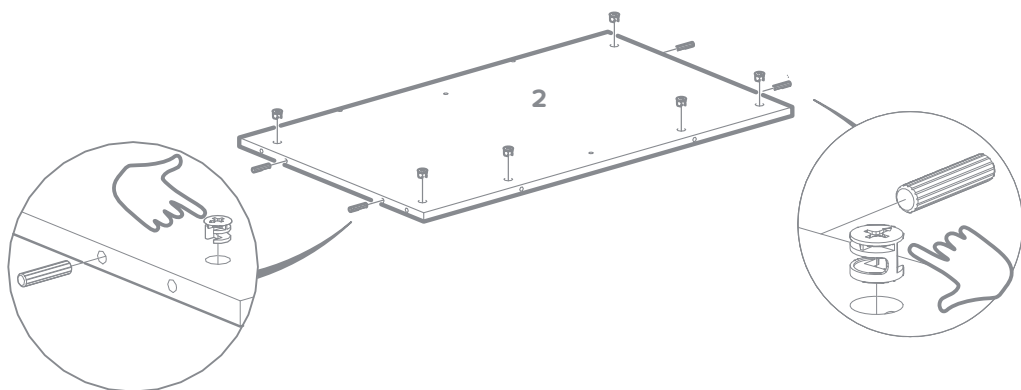


assembly

7

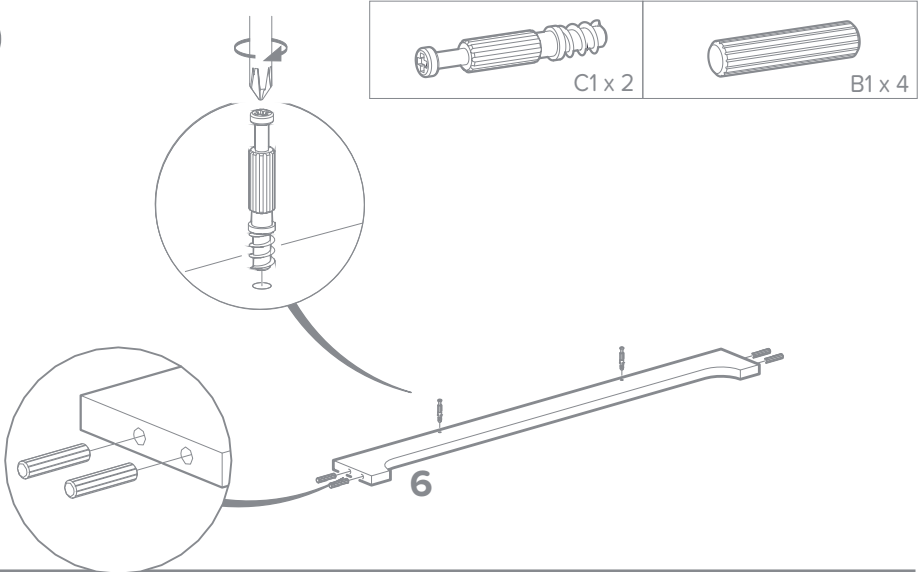


8

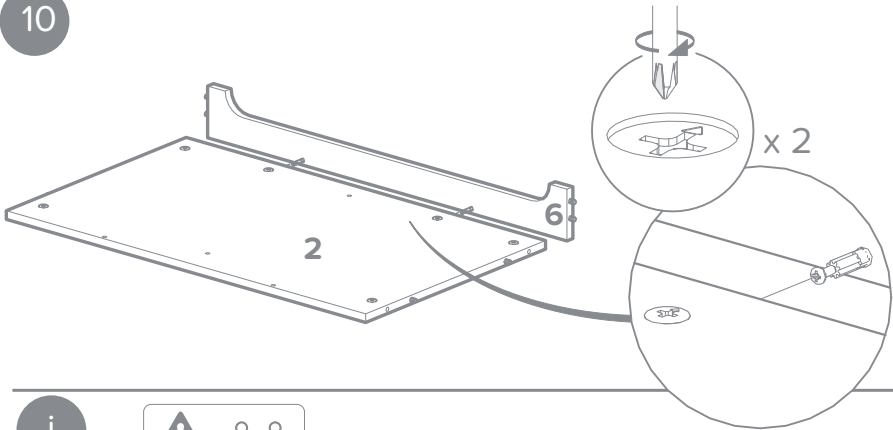


assembly

9



10

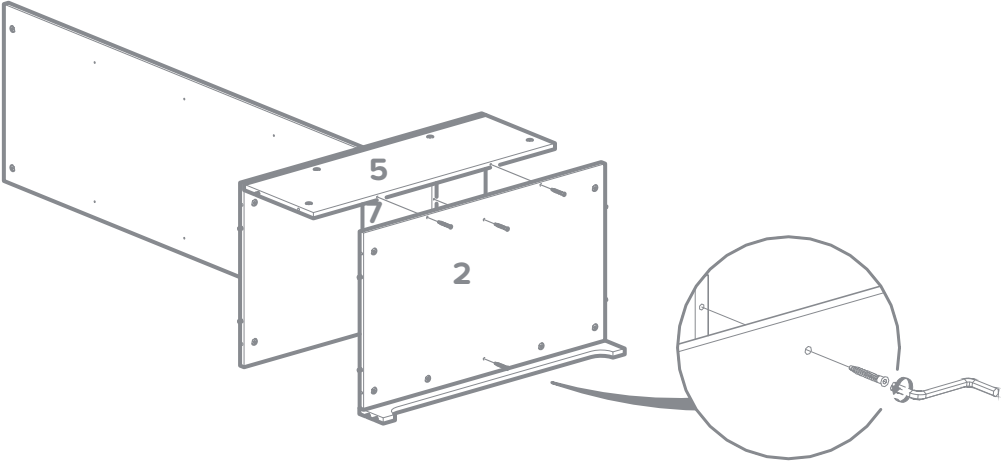
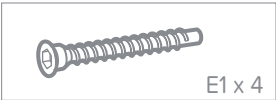


i

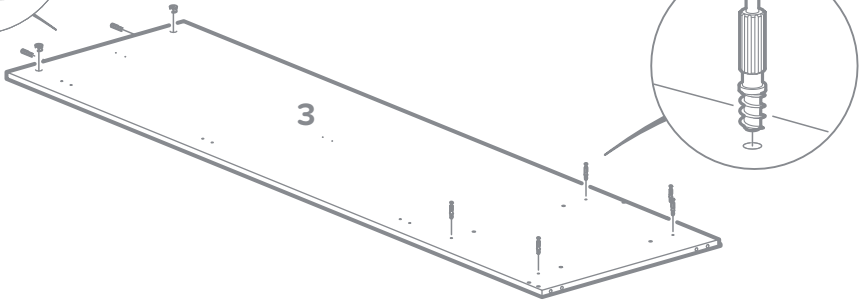
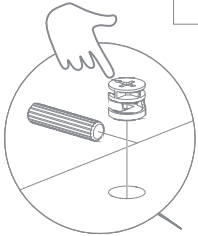
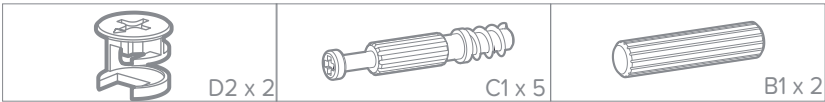


assembly

11

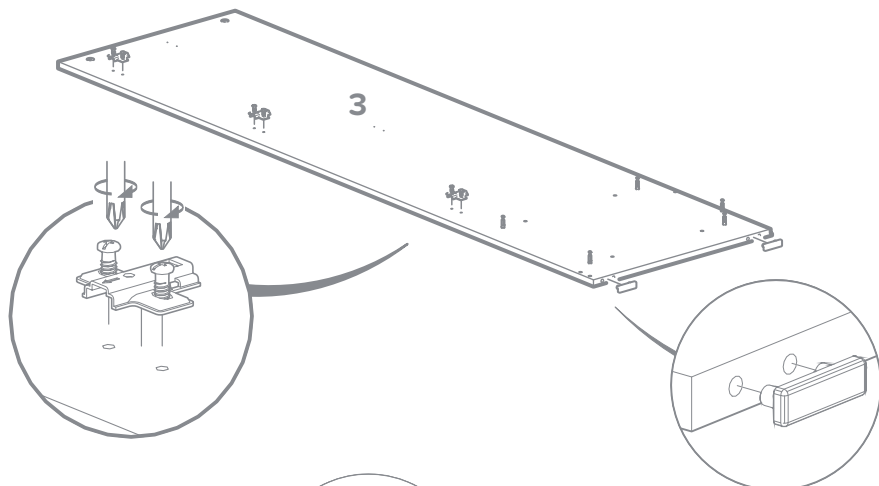


12

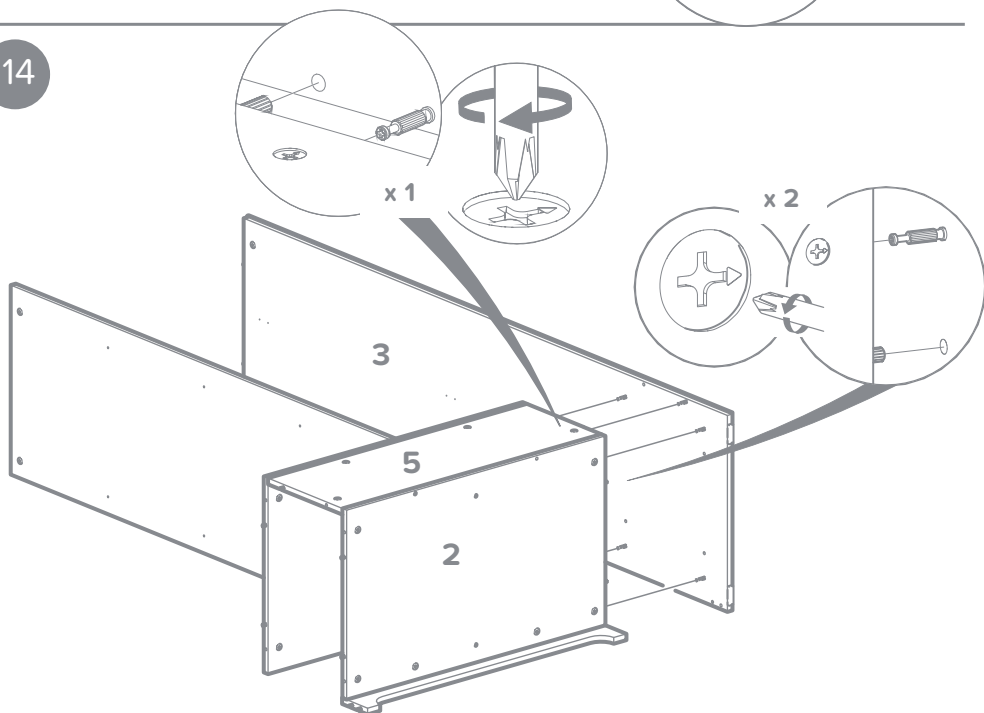


assembly

13



14



assembly

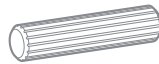
15



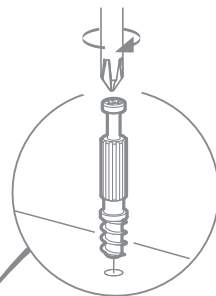
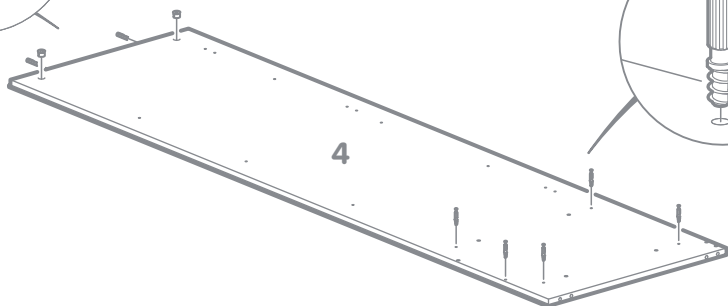
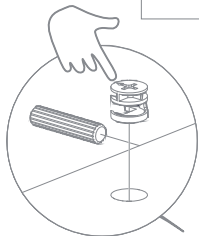
D2 x 2



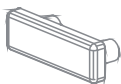
C1 x 5



B1 x 2



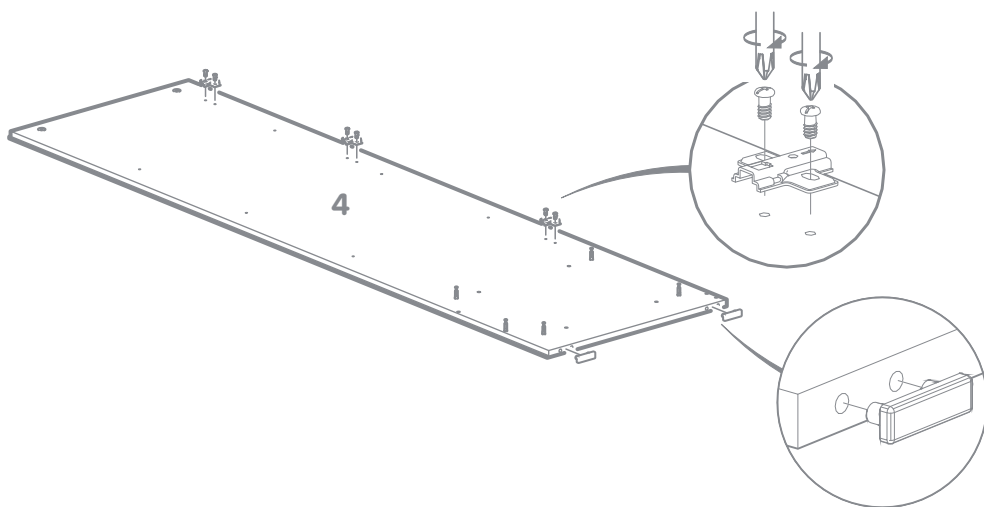
16



J x 2

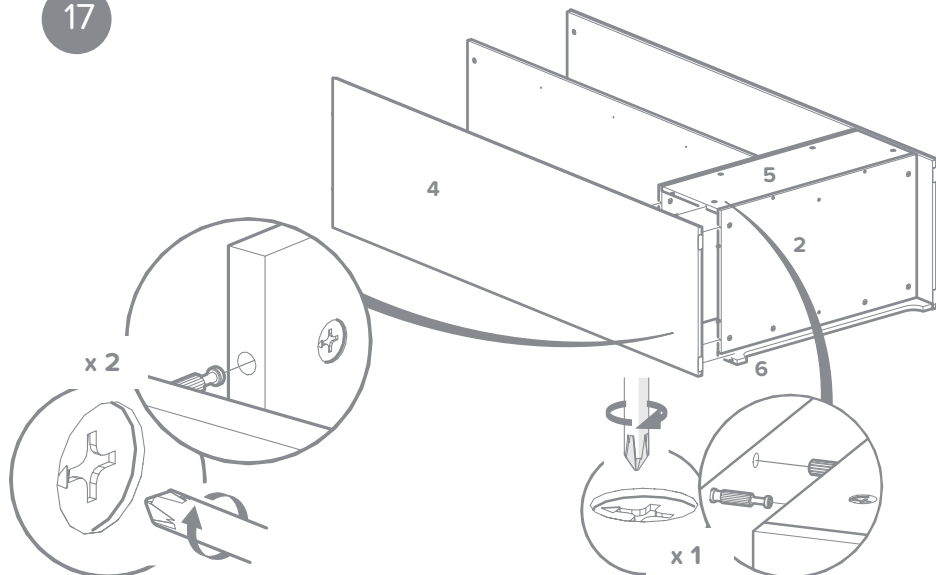


N x 3

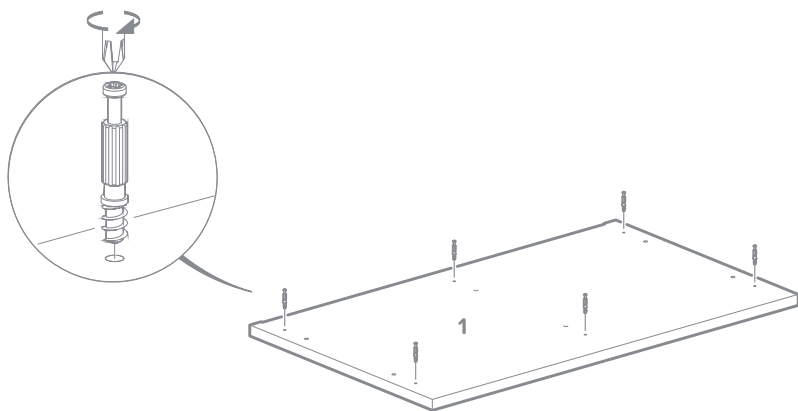
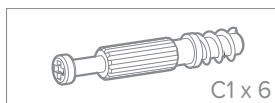


assembly

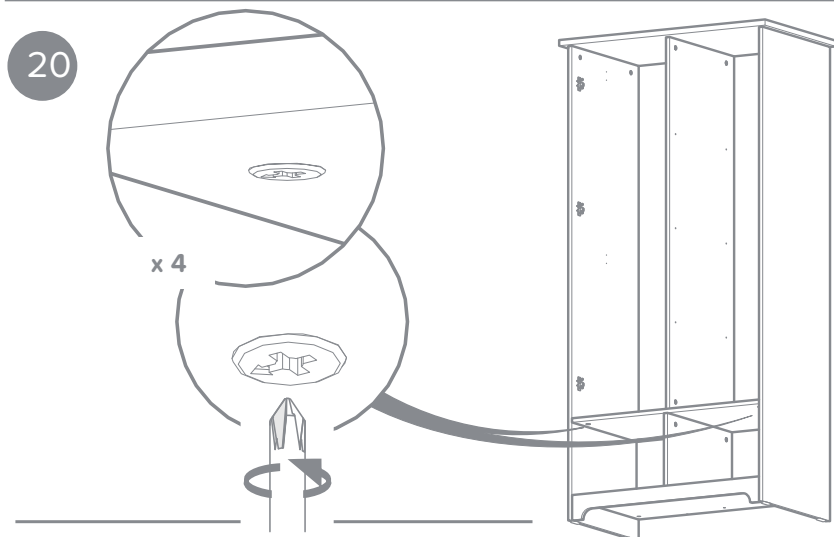
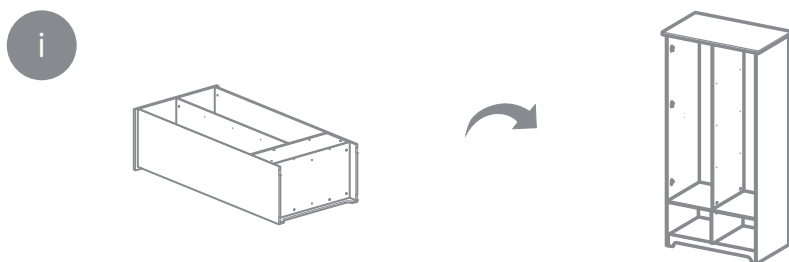
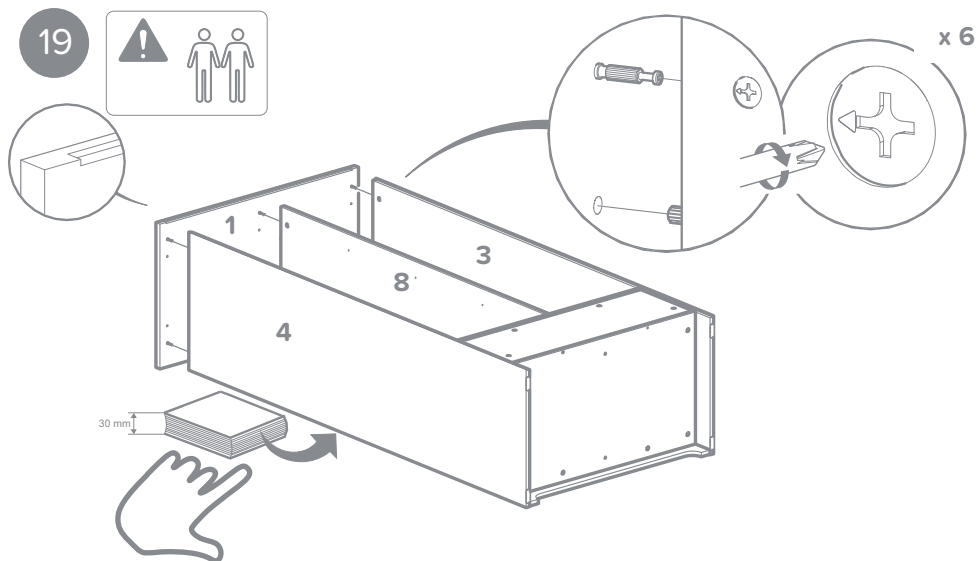
17



18

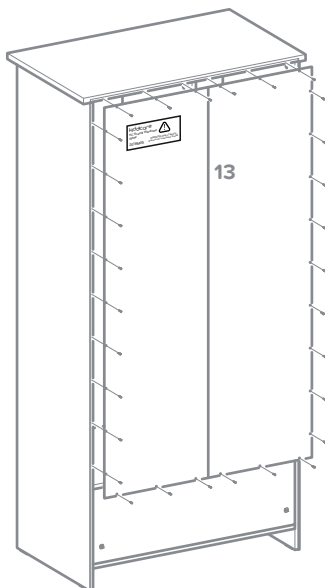
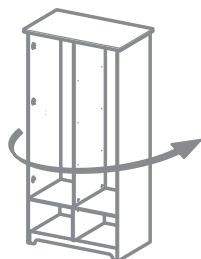


assembly



assembly

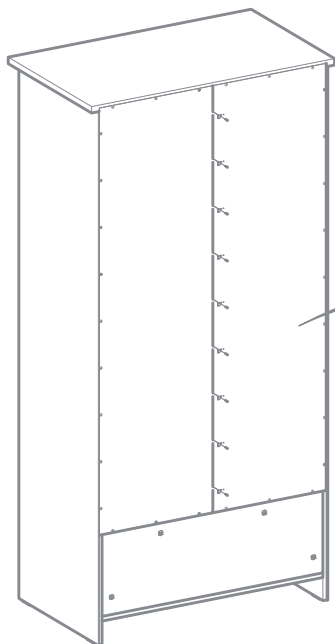
21



G1 x 30



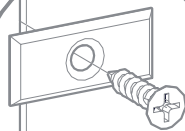
22



G1 x 9

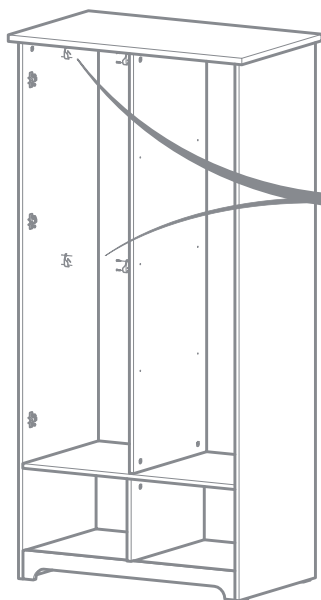


Z x 9



assembly

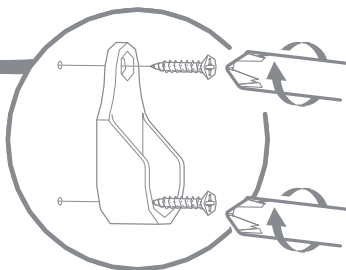
23



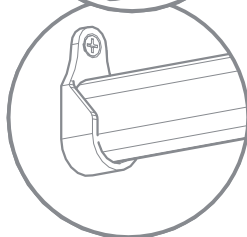
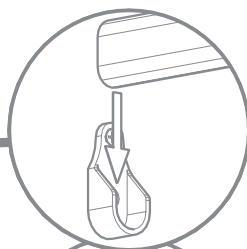
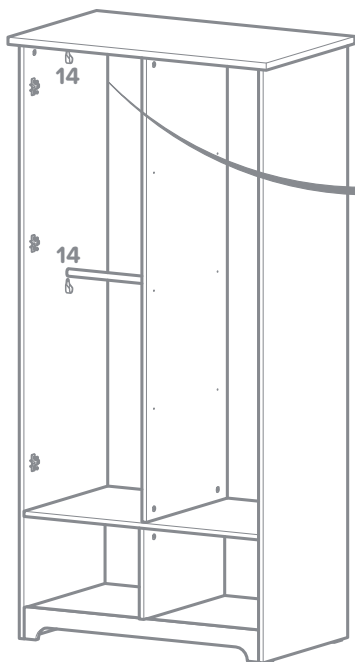
G1 x 8



1 x 4

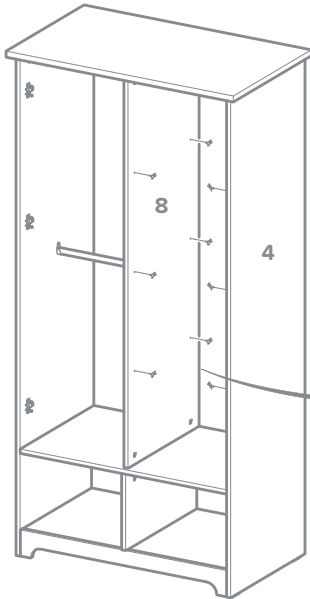


24



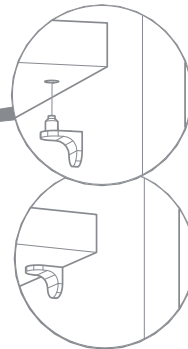
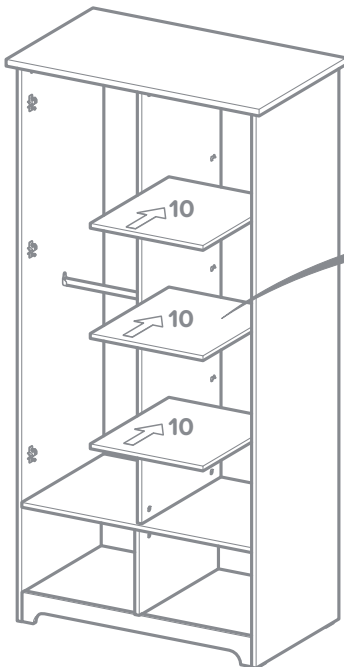
assembly

25



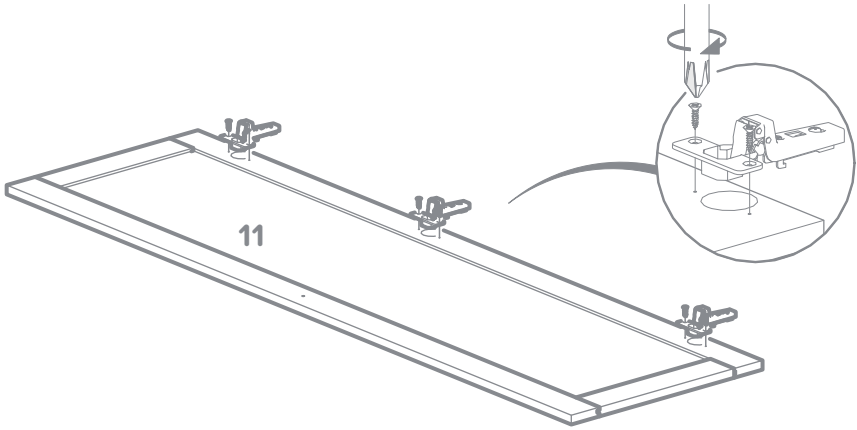
H x 12

26

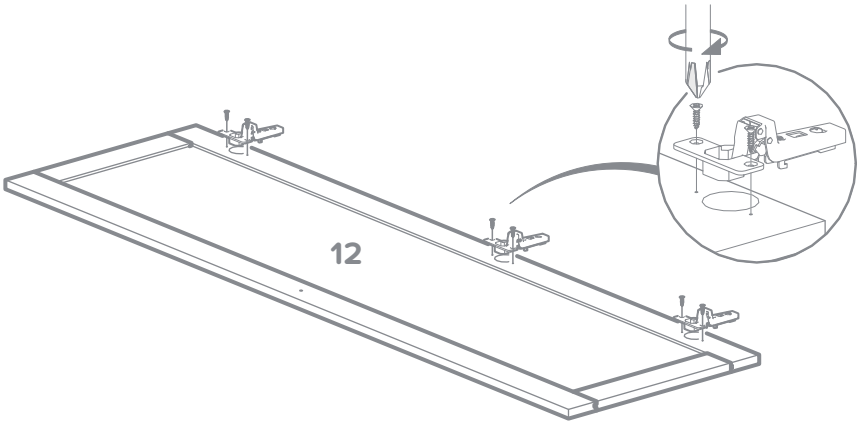


assembly

27

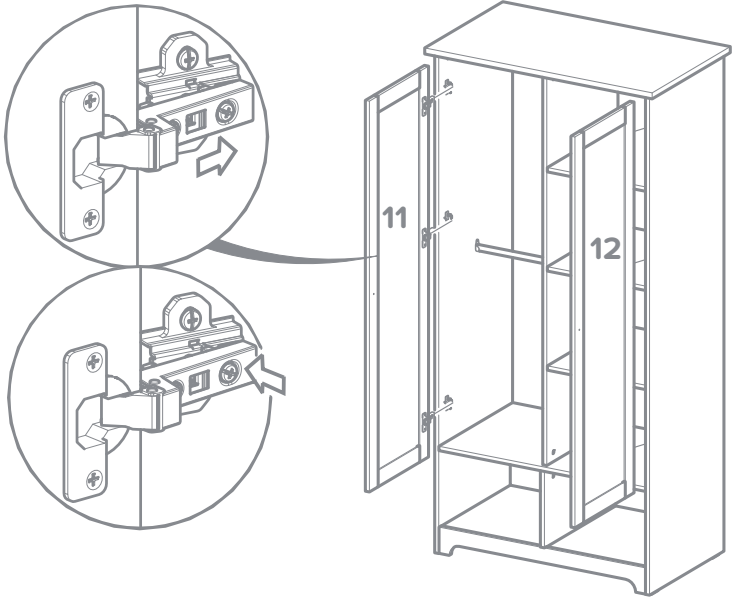


28

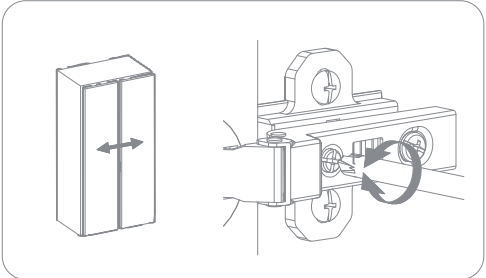
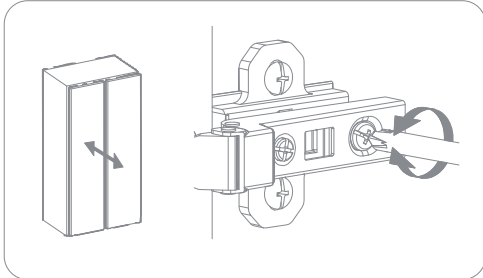
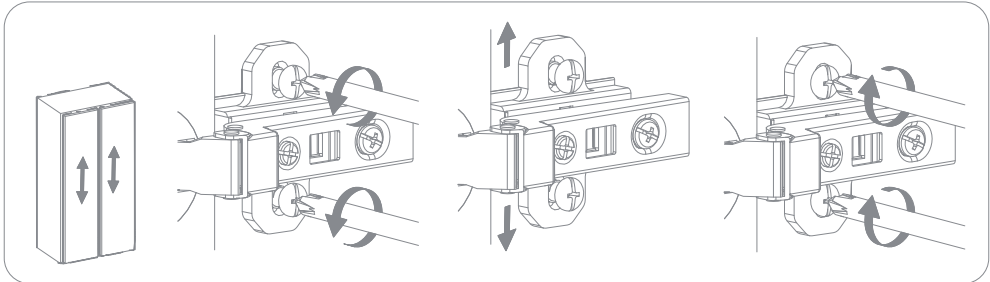


assembly

29

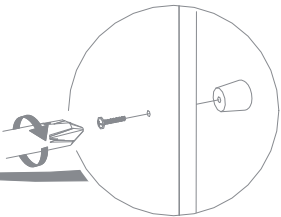
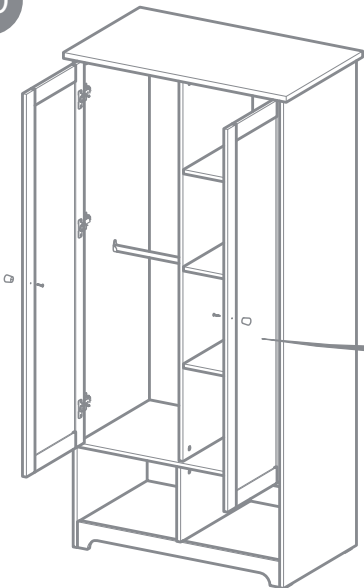


i

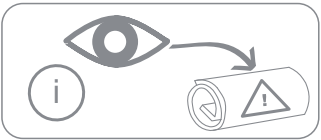
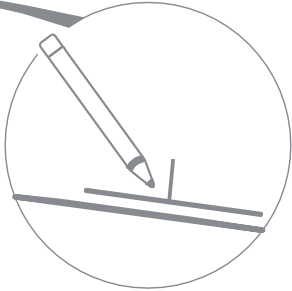
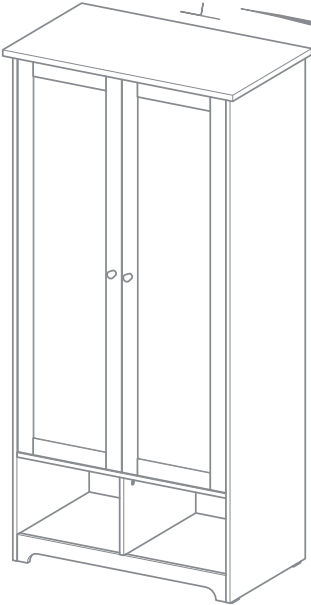


assembly

30

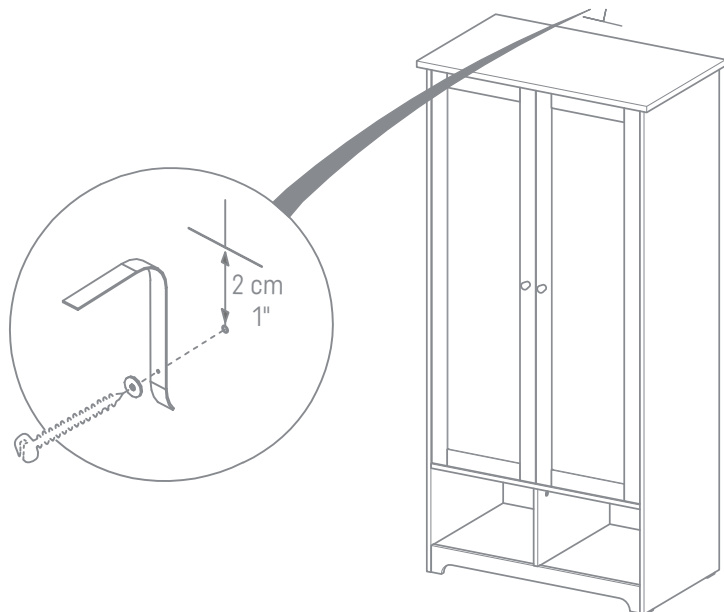


31

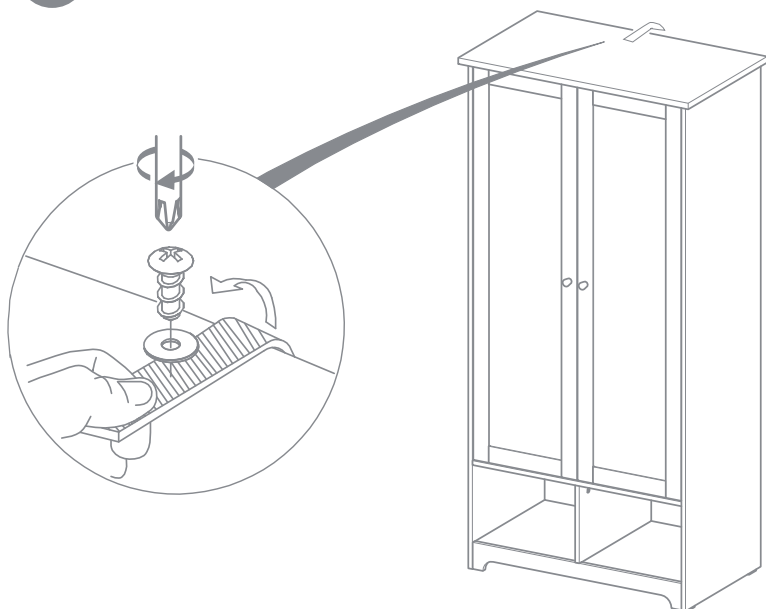


assembly

32



33



kiddicare kiddicare kiddicare

kiddicare kiddicare kiddicare

kiddicare kiddicare kiddicare

kiddicare kiddicare kiddicare

kiddicare kiddicare kiddicare

kiddicare kiddicare kiddicare

kiddicare kiddicare kiddicare

kiddicare kiddicare kiddicare

kiddicare kiddicare kiddicare

kiddicare kiddicare kiddicare

Safety

Always use the wall attachment strap provided.

All assembly fixings should always be tightened properly. Care should be taken that no screws are loose because a child could trap parts of their body, or clothing (e.g. strings, necklaces, ribbons, dummies, etc.) which could pose a risk of strangulation.

Be aware of the risks of open fires and other such sources of strong heat, such as electric bar fires, gas fires, etc. in the near vicinity of the wardrobe.

Do not use if any of the parts are broken, torn or missing.

Any additional or replacement parts can only be obtained from the manufacturer or the distributor.

Maintenance

Take care when handling or moving the furniture. Careless handling may cause damage.

Regularly check that all fixings are tightened and that there are no broken or damaged parts.

Cleaning

Your wardrobe can be cleaned by wiping with a damp cloth and drying with a soft clean cloth. Do not use abrasives, bleach, alcohol or ammonia based household polishes.