

kiddicare

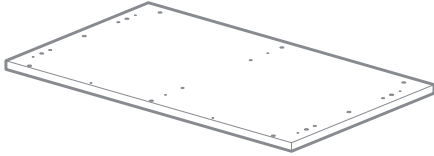
Devon

Dresser

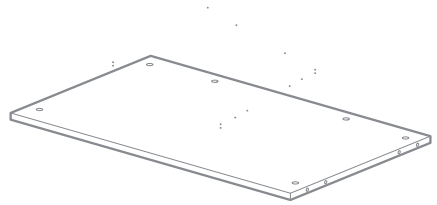


IMPORTANT:
KEEP FOR FUTURE REFERENCE,
READ CAREFULLY

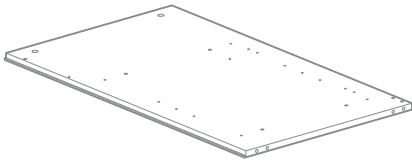
parts



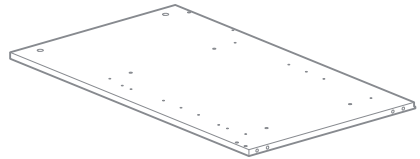
1 x 1



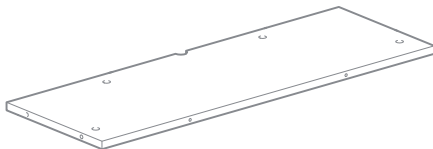
2 x 1



3 x 1



4 x 1

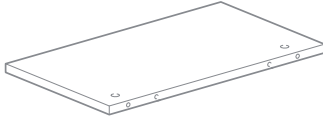


5 x 1

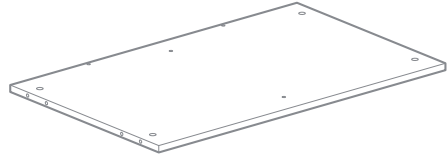


6 x 1

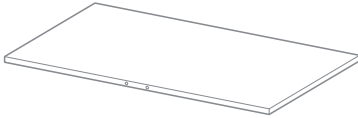
parts



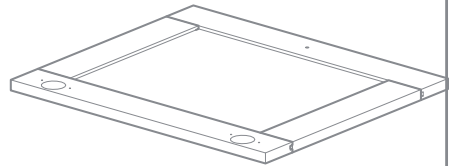
7 x 1



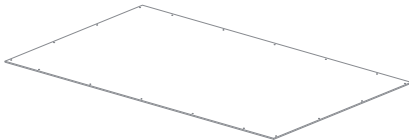
8 x 1



9 x 1



10 x 2



11 x 1










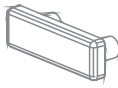
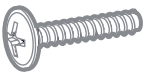

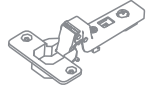
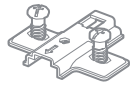


12 x 2

parts







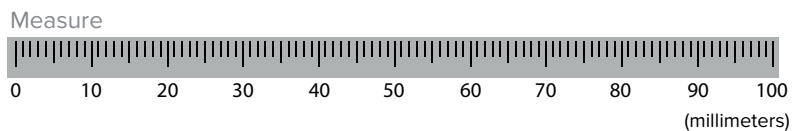
13 x 2

fittings

<p>A1 x 1</p> 	<p>B1 x 28</p> 	<p>C1 x 20</p> 
<p>D2 x 20</p>  <p>16mm</p>	<p>E1 x 16</p>  <p>50mm</p>	<p>G1 x 18</p>  <p>3x 16mm</p>
<p>H1 x 4</p> 	<p>J x 4</p> 	<p>K x 2</p>  <p>4x 22mm</p>
<p>L x 2</p> 	<p>Mx 4</p> 	<p>N x 4</p> 
<p>R x 8</p>  <p>4x 16mm</p>	<p>W x 1</p> 	

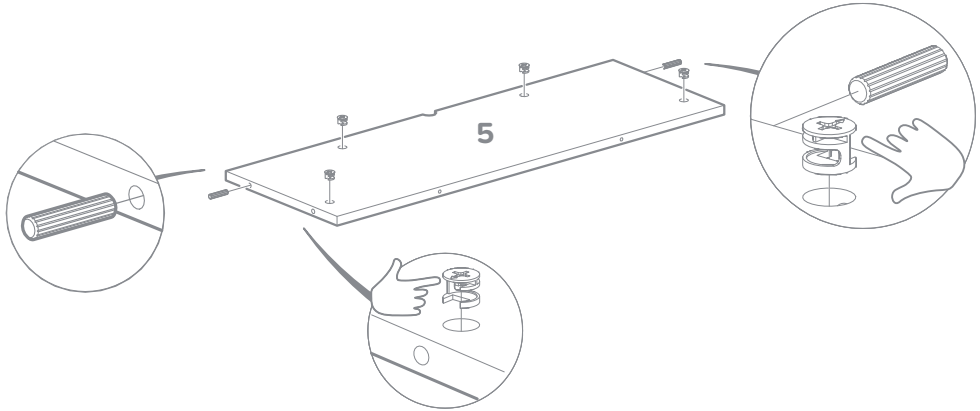
Tools required

			<p>cross head screwdriver</p> 
---	---	---	---

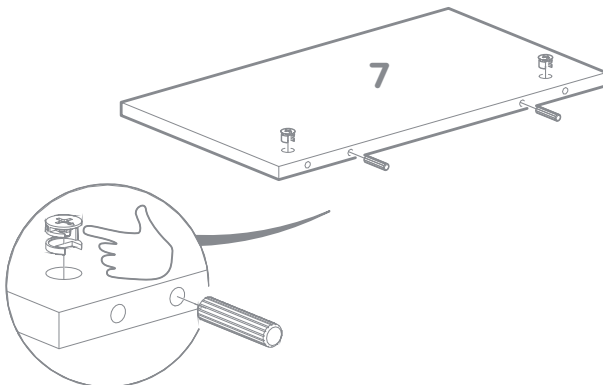


assembly

1

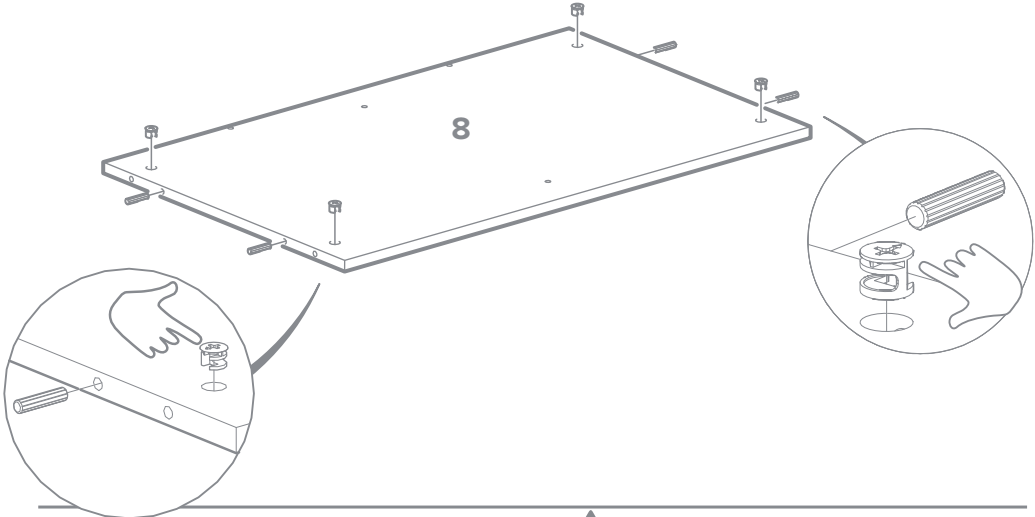


2

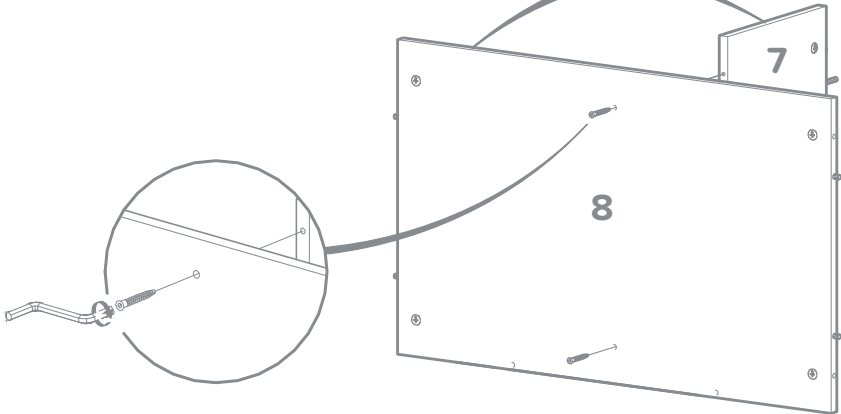


assembly

3

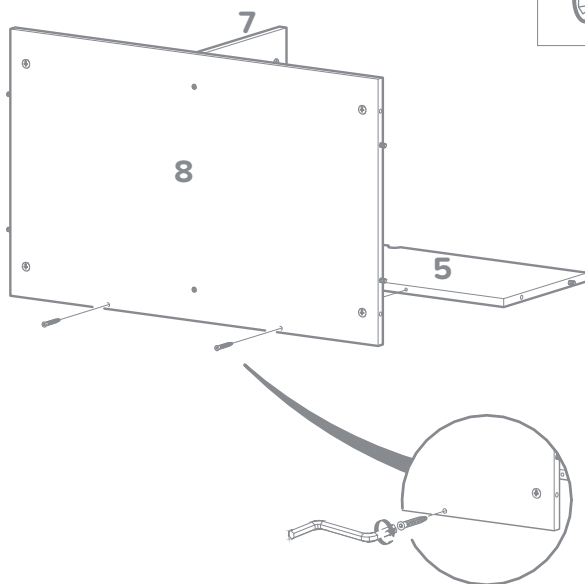


4



assembly

5

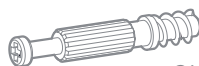


E1 x 2

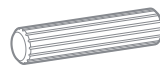
6



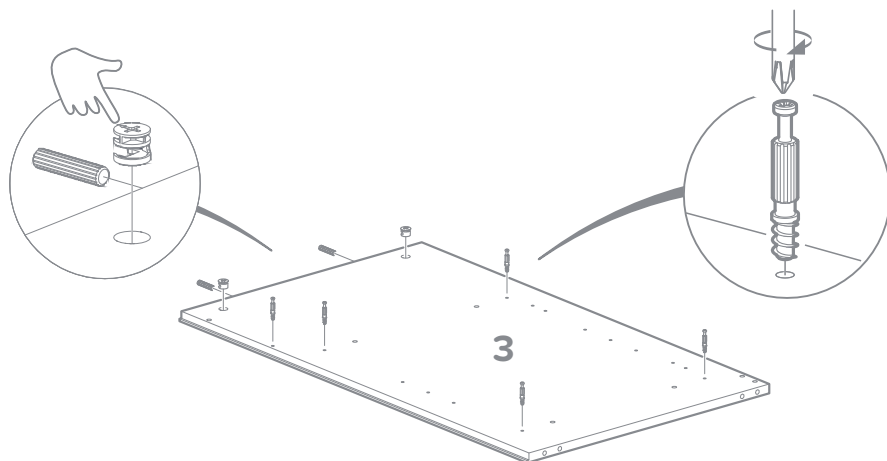
D2 x 2



C1 x 5

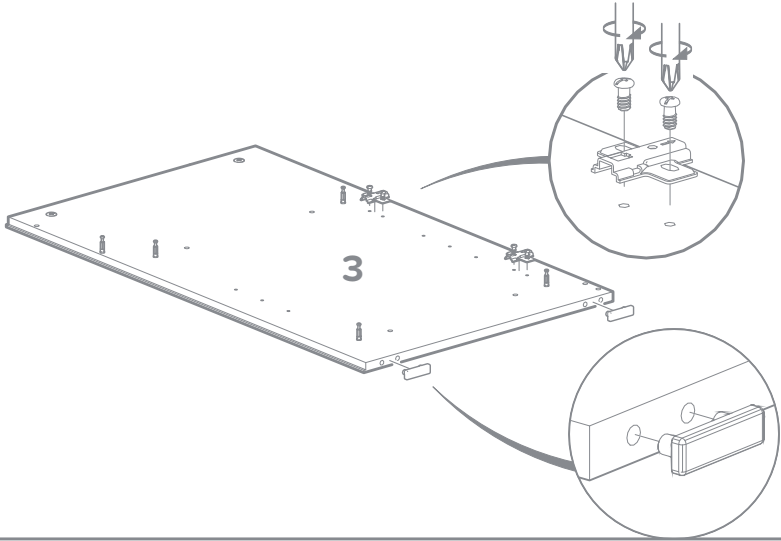


B1 x 2

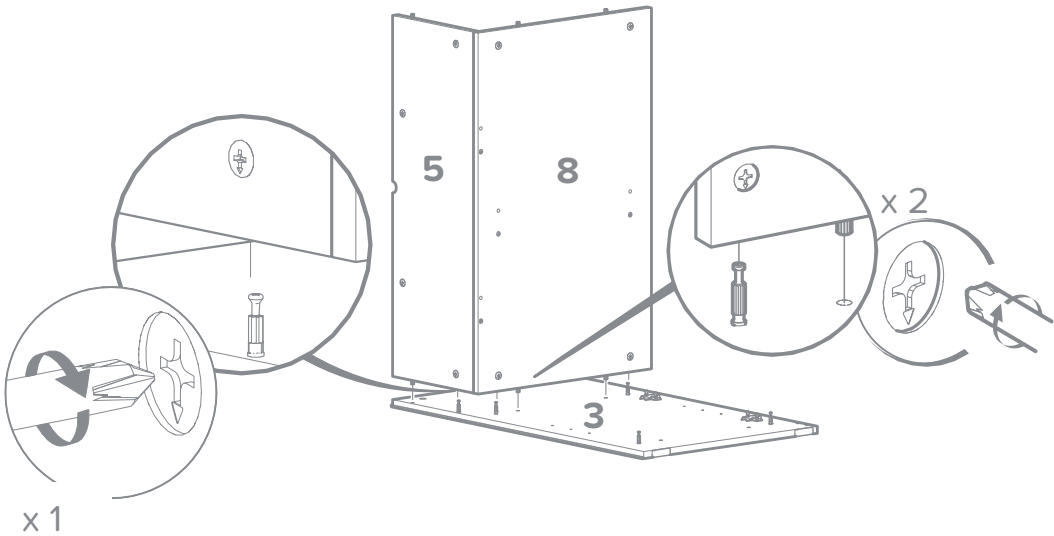


assembly

7

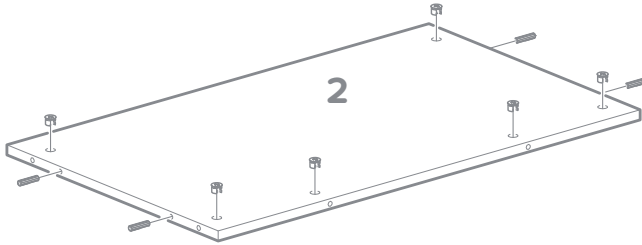


8

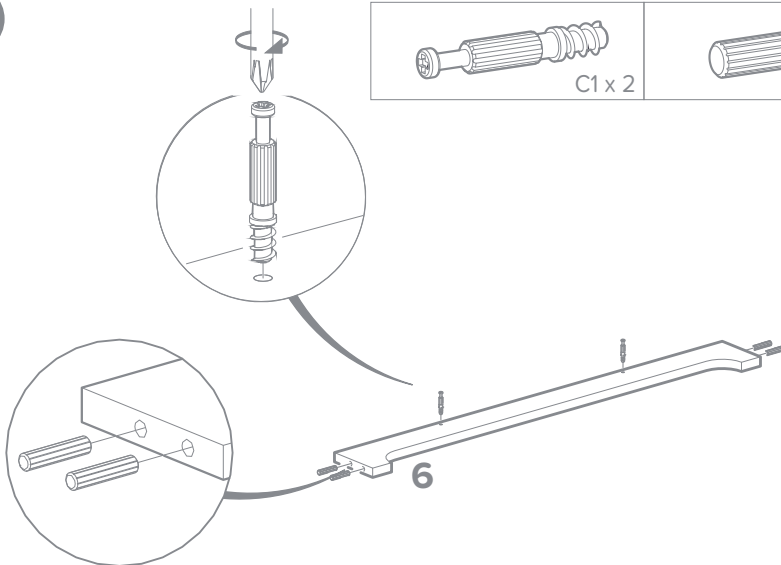


assembly

9

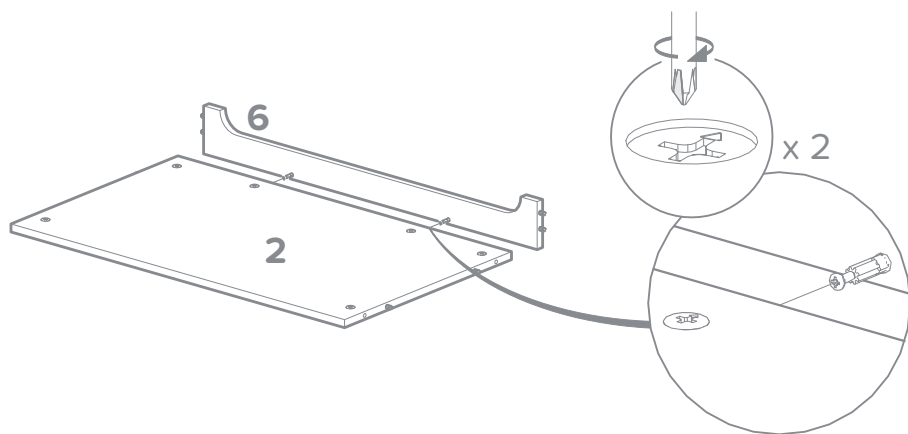


10

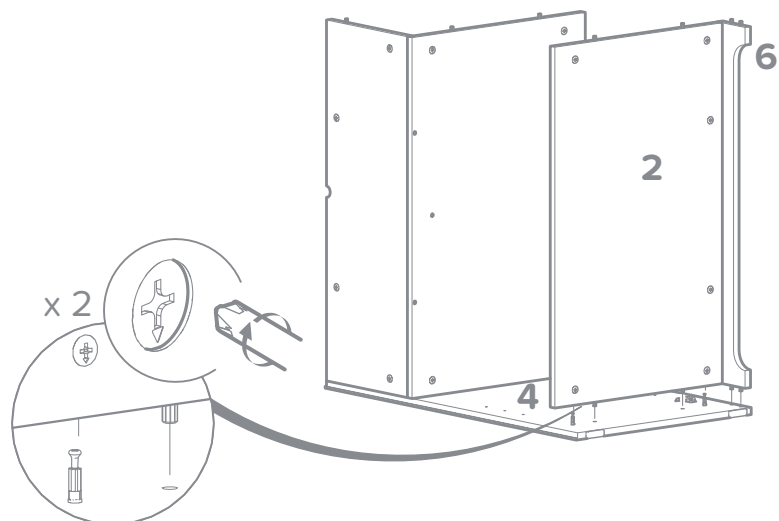


assembly

11

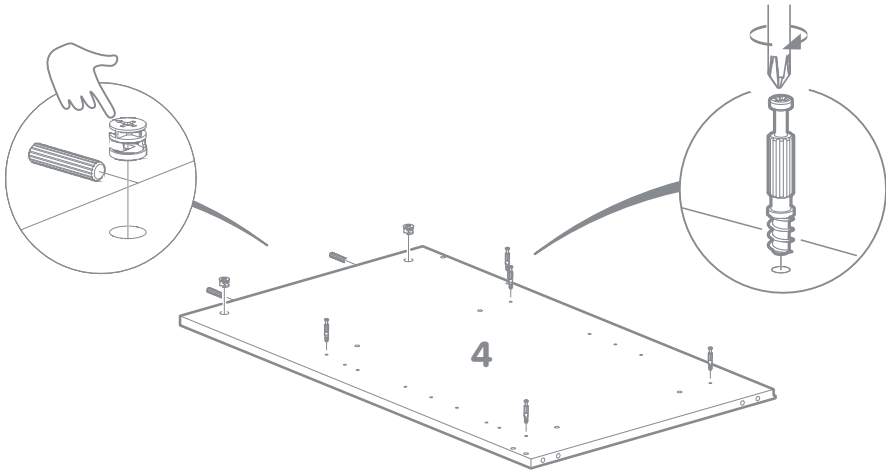
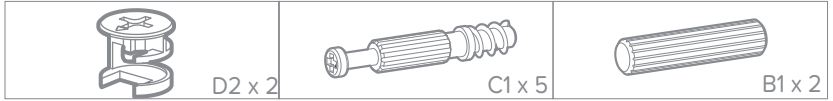


12

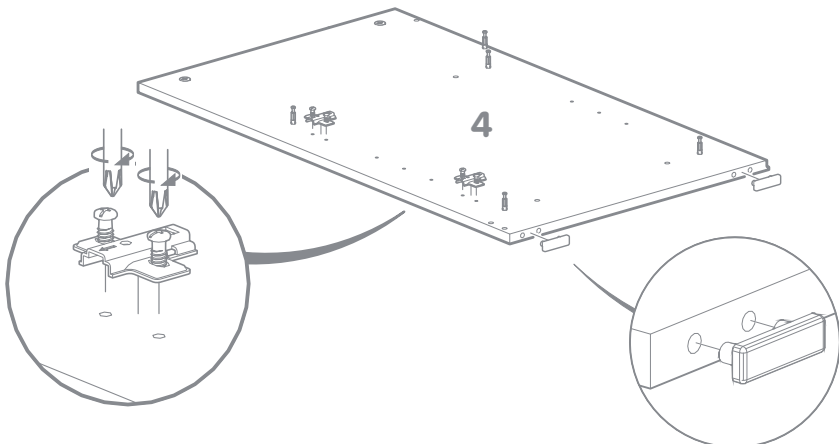


assembly

13

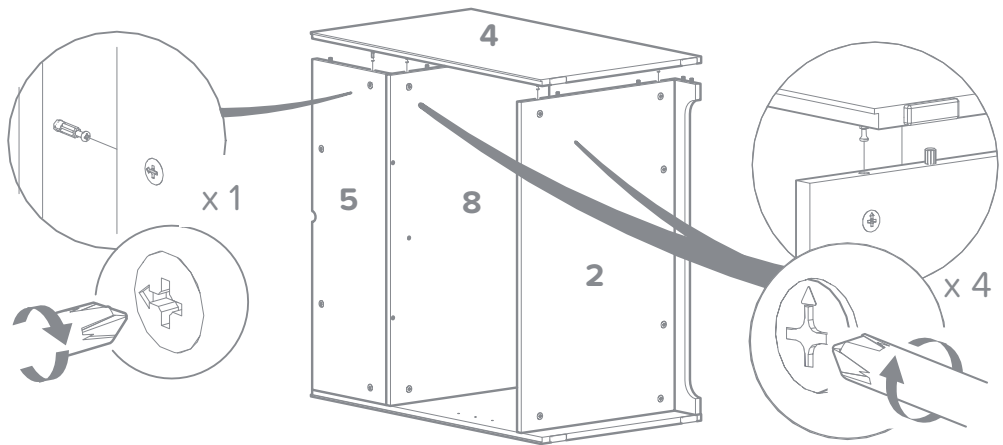


14

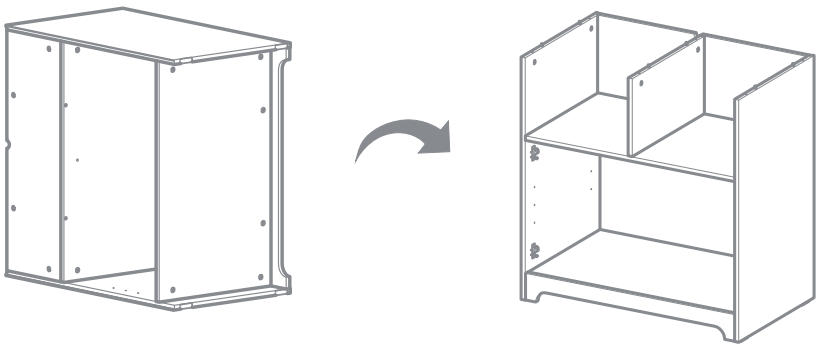


assembly

15

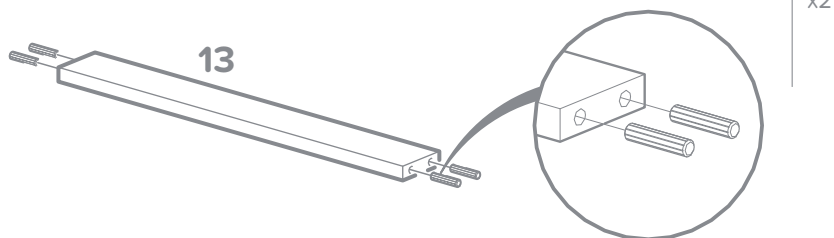
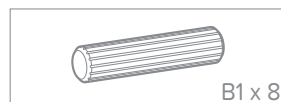


i

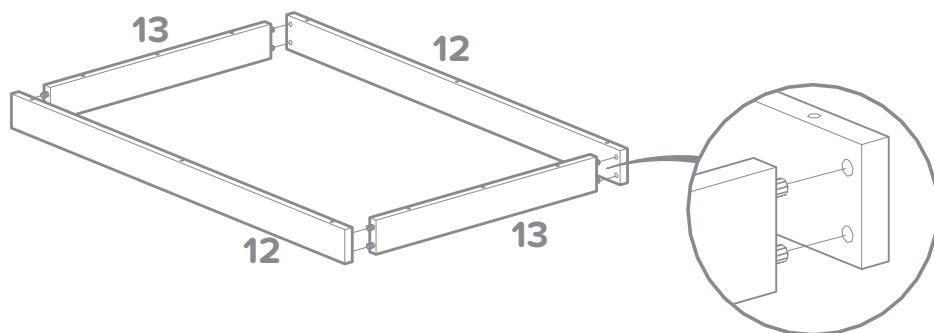


assembly

16

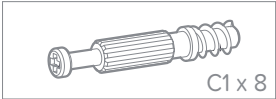
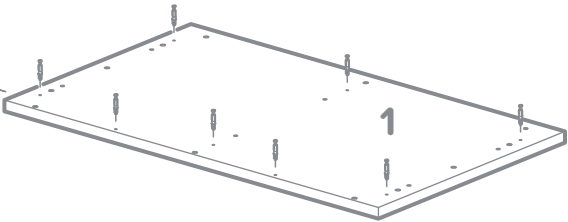
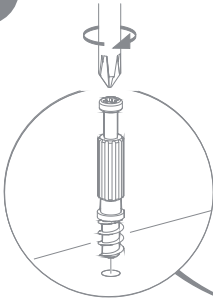


17

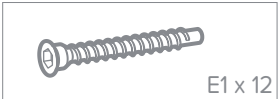
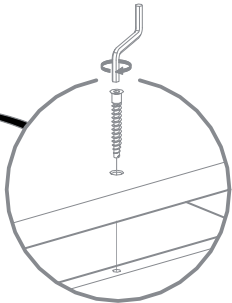
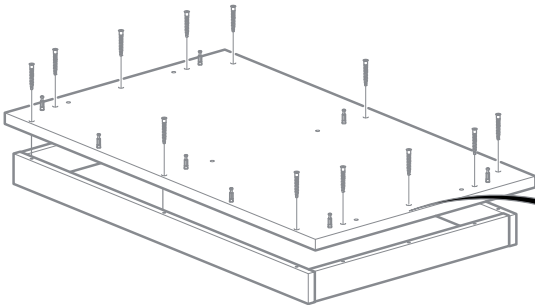


assembly

18

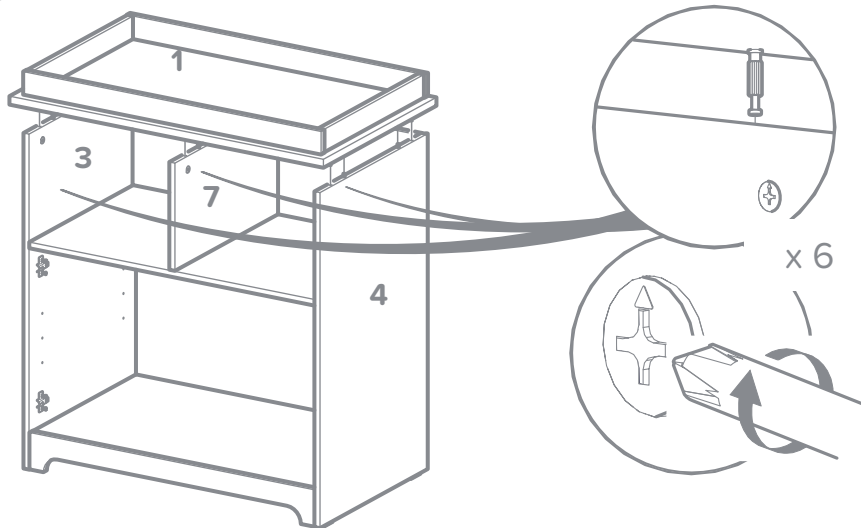


19

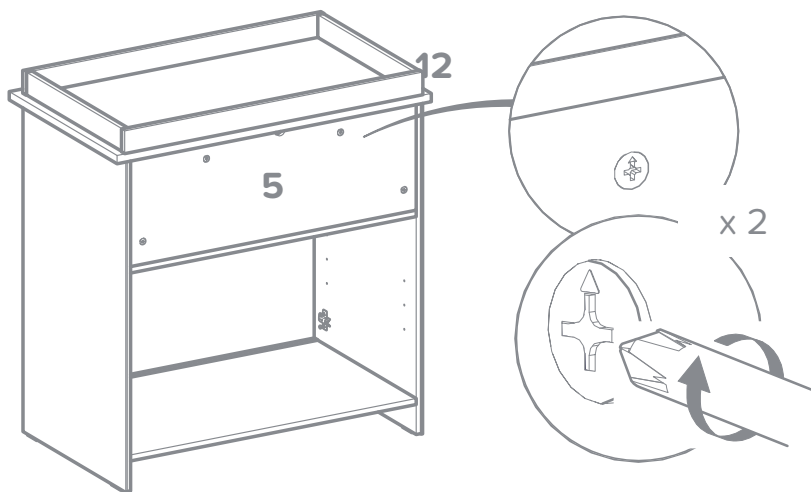


assembly

20



21

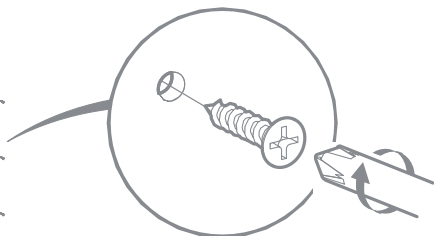
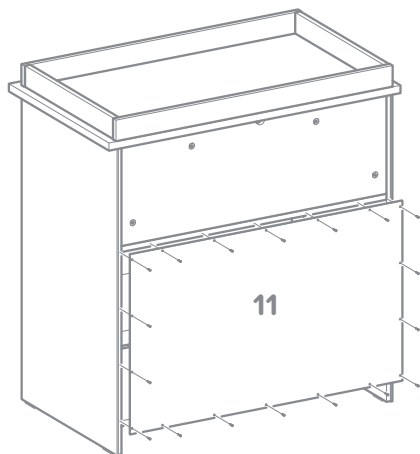


assembly

22



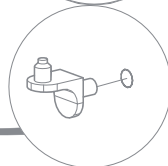
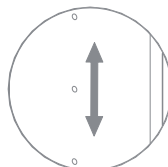
G1 x 18



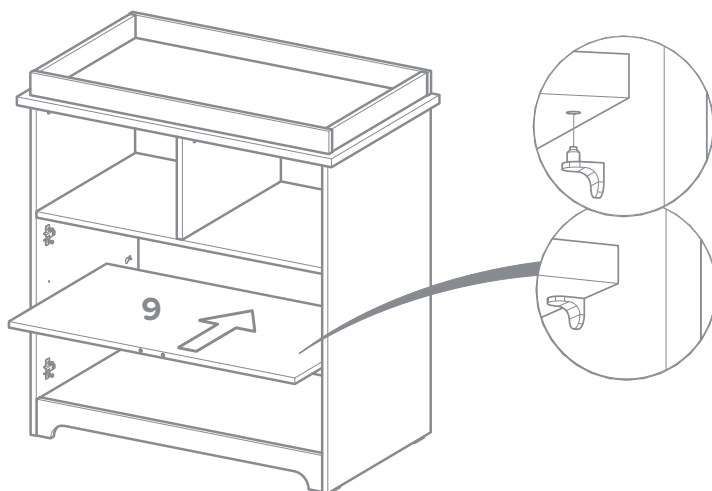
23



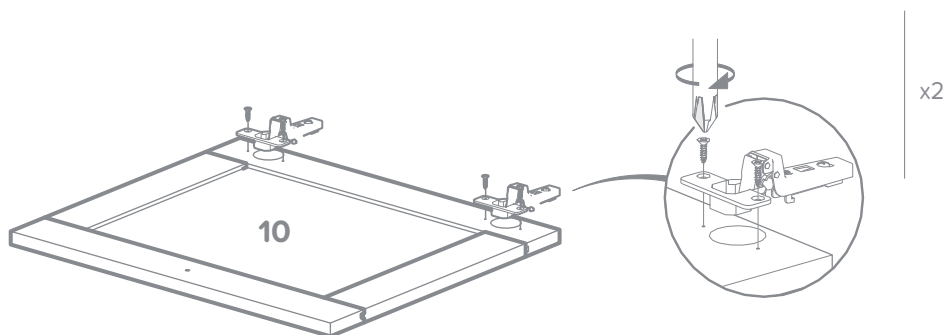
H1 x 4



24

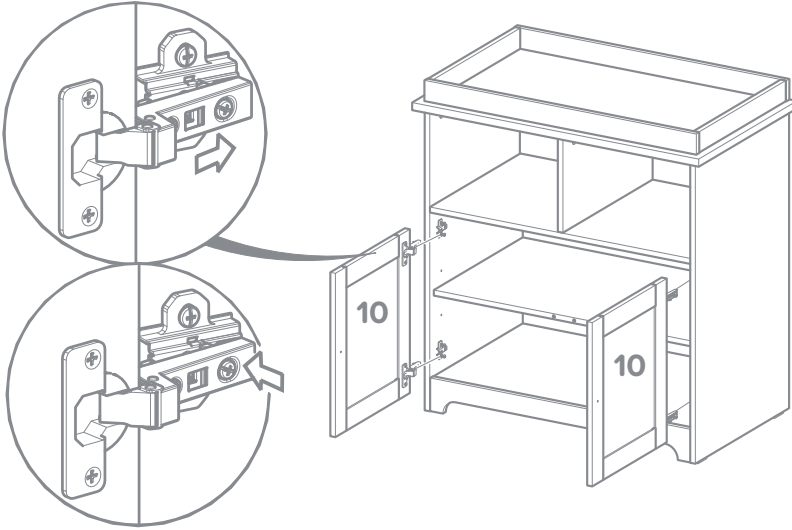


25

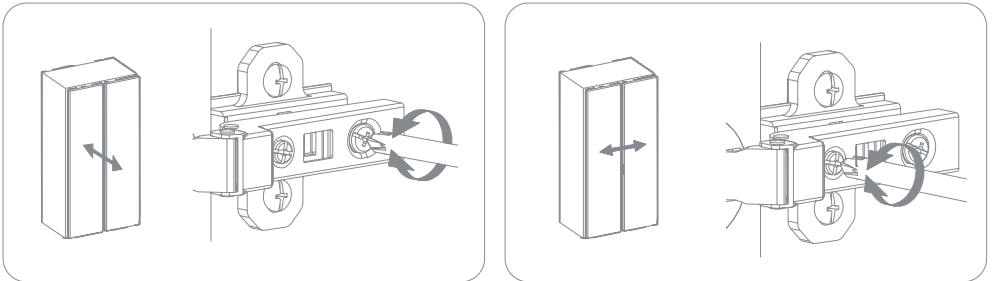
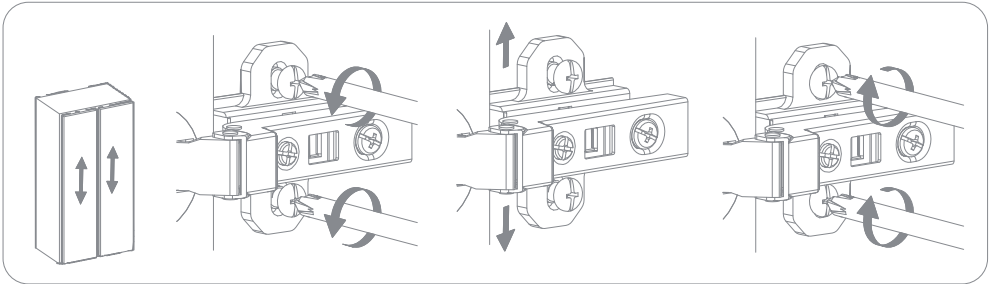


assembly

26

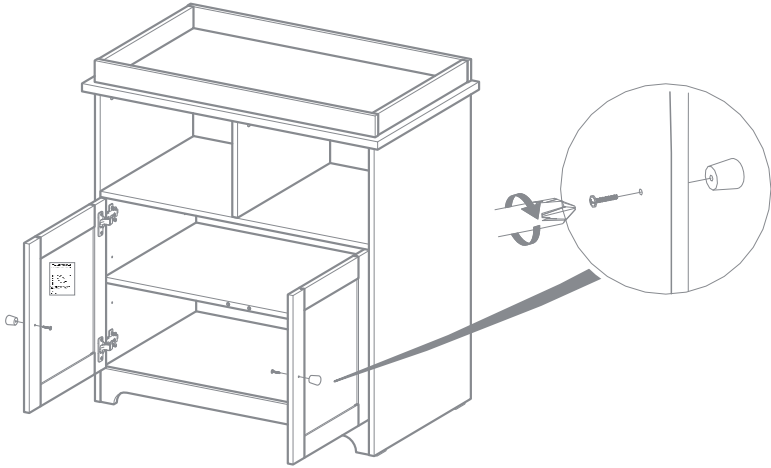


i

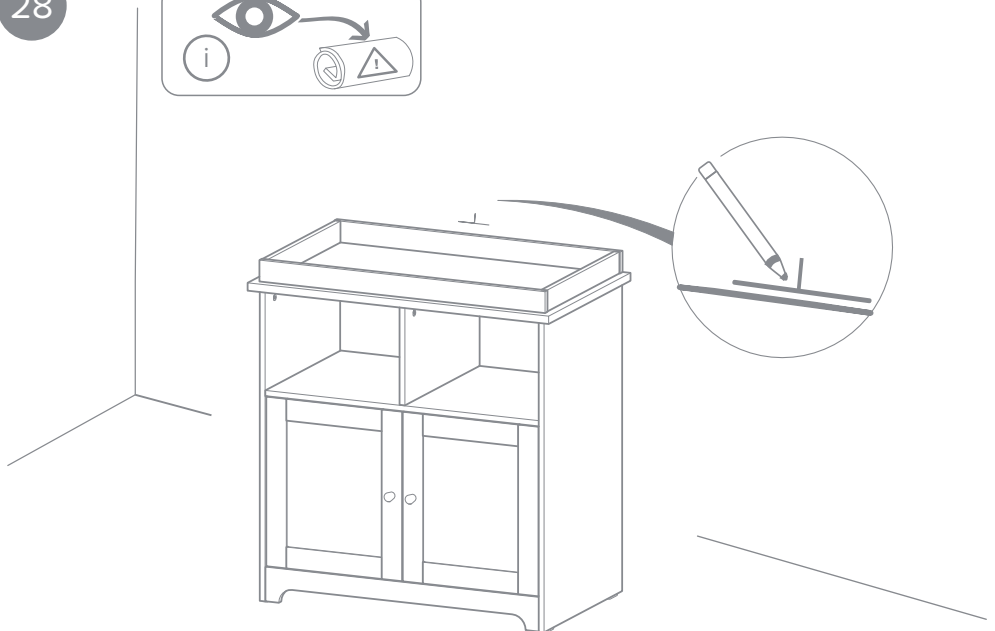
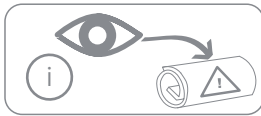


assembly

27

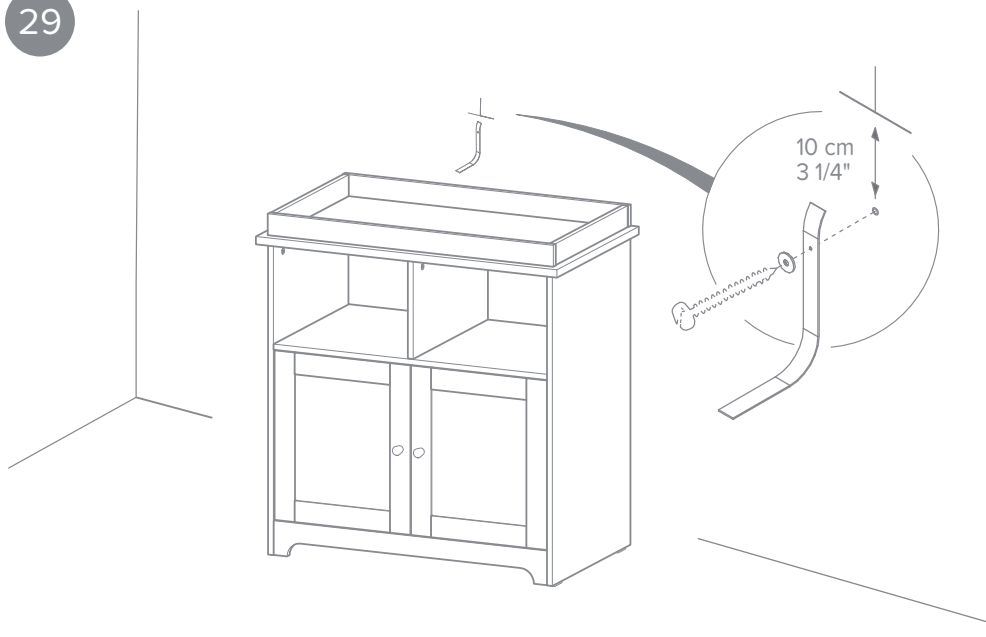


28

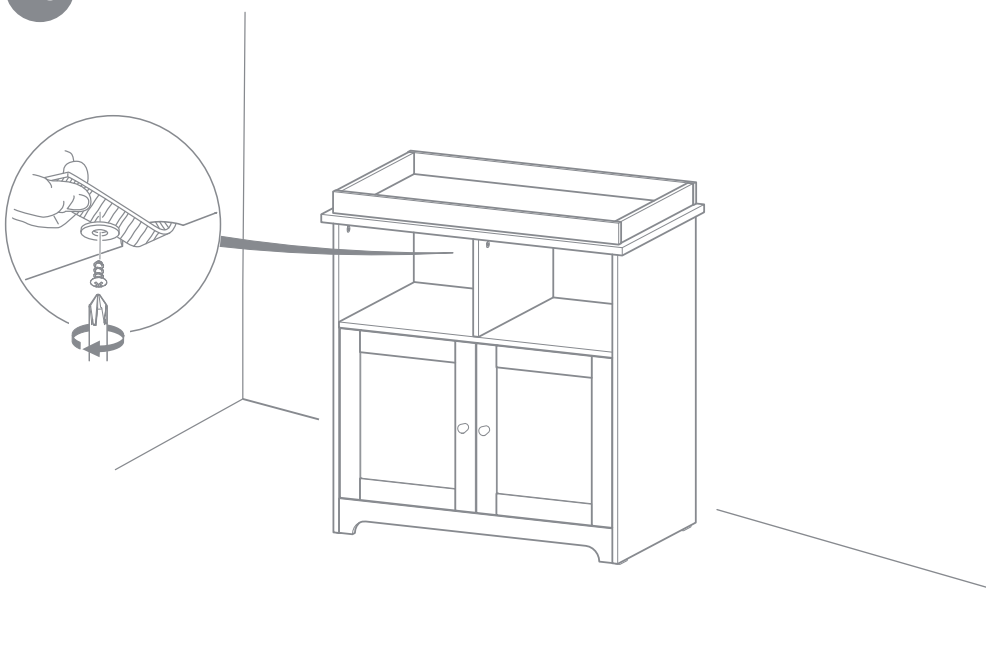


assembly

29



29



kiddicare kiddicare kiddicare

kiddicare kiddicare kiddicare

kiddicare kiddicare kiddicare

kiddicare kiddicare kiddicare

kiddicare kiddicare kiddicare

kiddicare kiddicare kiddicare

kiddicare kiddicare kiddicare

kiddicare kiddicare kiddicare

kiddicare kiddicare kiddicare

kiddicare kiddicare kiddicare

Safety

Warning: Do not leave your child unattended.

Always use the wall attachment strap provided.

All assembly fixings should always be tightened properly. Care should be taken that no screws are loose because a child could trap parts of their body, or clothing (e.g. strings, necklaces, ribbons, dummies, etc.) which could pose a risk of strangulation.

Be aware of the risks of open fires and other such sources of strong heat, such as electric bar fires, gas fires, etc. in the near vicinity of the dresser.

Suitable for use with a changing mat of max size 760x460 mm

The changing area is suitable for use up to 12 months old or 11kg in weight.

Do not use the dresser if any of the parts are broken, torn or missing.

Any additional or replacement parts can only be obtained from the manufacturer or the distributor.

This product conforms to: **BSEN 12221:2008 +A1:2013.**

Maintenance

Take care when handling or moving the furniture. Careless handling may cause damage.

Regularly check that all fixings are tightened and that there are no broken or damaged parts.

Cleaning

Your dresser can be cleaned by wiping with a damp doth and drying with a soft clean cloth.

Do not use abrasives, bleach, alcohol or ammonia based household polishes.

Kiddicare

manufactured in
Poland for kiddicare
Cambridgeshire LE7 1AD

kiddicare.com

kiddicare

Kiddicare Helpline: 03332 342595